



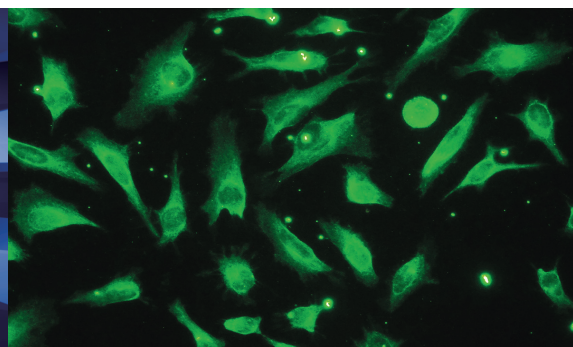
You refine the best research works; we offer the best lighting options to assist you achieve goals .

YODN, a special lighting company, proudly announces the introduction of the LED light source, designed specifically for fluorescence microscopes, YODN Hyper E340. The illuminator equips the best LED light engine, produces spectrums that can fulfill most of the research lighting demands with its wide-field spectrums design methodology. Regardless you are a researcher or a microscopist, Hyper E340 helps you conduct your works easily in an energy efficient way. YODN Hyper E340 illuminator successfully adapts the latest LED technology, remarkably produces spectrums from 350 nm to 730 nm with red light enhancement, a true wide-field illuminator that can support different fluorescence excitation, such as DAPI, GFP/FITC, mCherry/Texas Red, Cy3, Cy5 (or Cy7) research and more. Both manual and automatic digital programming control are seamlessly integrated in Hyper E340, offer the users easy, yet flexible operation options. Better yet, the LED technology long life characteristic makes Hyper E340 an almost maintenance free equipment, no more light bulb changes. YODN Hyper E340 is an advance choice for fluorescence microscope applications.



Hyper E340

Wide-Field Excitation Illuminator for Fluorescence Microscope



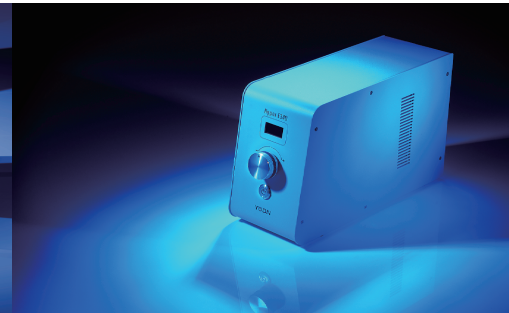
Features

Benefits

LED light source	Eco-friendly design, long life, instant on/off, stable light output.
Broadband spectrum	Broadband spectrum (350 nm – 730 nm), sufficient to use in all research occasions related to fluorescence, such as DAPI, GFP/FITC, mCherry/Texas Red, and Cy3, Cy5 (or Cy7) excitation.
Simple operation	Use manual control or remote control (TTL) to switch your LED intensity/channel easily.
Low photo-bleaching rate	LED cold light used; increase the fluorescence cell sample survival rate.
Custom thermal system for LED light engine	Control the light engine/illuminator at the best operation temperature and performance.
Support multiple digital control	Easy switch between manual control or auto program operation (USB/TTL). Users can see each LED intensity, temperature, usage hours on the display (30 x 15 mm)
Support remote off-site control	Use the USB interface or TTL to connect the illuminator with a personal computer, and observe the research progress in a remote location.
	TTL: on/off (BNC) PC control : on/off, 1% intensity adjustment (USB B-type)

Hyper E340

Wide-Field Excitation Illuminator for Fluorescence Microscope



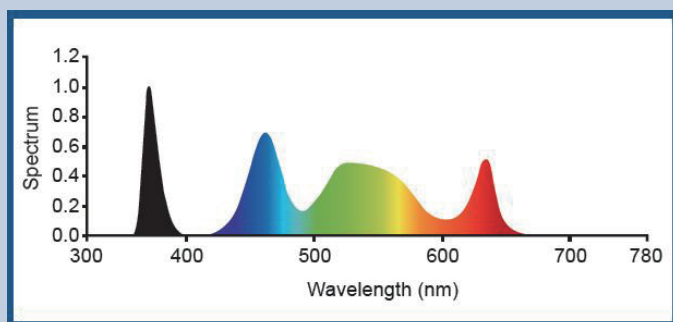
Specifcation

Wavelength range	350 ~ 730 nm
LED peaks/ FWHM	365/20nm , 460/40nm , 560/80nm , 630/20nm Optional , 405/20nm , 730/20nm
External power supply	Universal input 100-240 VAC, 50/60 Hz
Power consumption	85W
LED on/off response time	1ms
LED expected life	25000 hours
Control Pad	1.ON/OFF 2.LED intensity control 10% - 100% 3.Color separation output control
External control	TTL Trigger & PC control (RS232 command/USB B-type connector)
Size (HxWxL)	Illminator:128*365*211mm Power supply:67*167*35mm
Weight	Approx. 5.5kg (including power supply)
Warranty	Illuminator: 24 months
Option	1.5M long, ϕ 3 mm liquid light guide/Collimators
Certifications	CE (TBA)

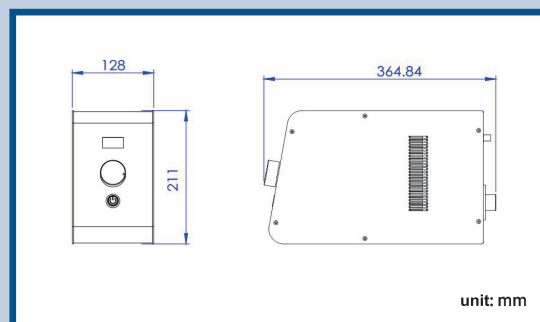
Accessories & Setup Illustration



Spectrum



Dimensions



YODN Lighting Corp.

6F, No. 1, Creation Rd. II, Science-Based Industrial Park, Hsin-chu City, 30077 Taiwan

TEL: +886-3-563-7218

FAX: +886-3-579-4581

Email: sales@yodnlighting.com



YODN Official Web



YODN WeChat



YODN Facebook