



New generation Hyper E600. It has effectively increased the intensity of LED light source (22% ~ 143% or more)

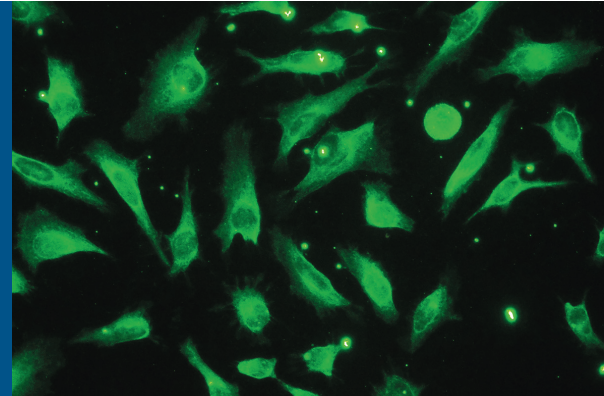
YODN Hyper E600 illuminator is a brand new light source specially made for fluorescence microscopes. Our illuminator equips the best LED light engine, produces spectrums that can fulfill most of the research lighting demands with its broadband spectrums design methodology. It helps you conduct your works easily in an energy efficient way. It produces spectrums from 350 nm to 700 nm by latest LED technology, a true broadband illuminator that can support different fluorescence excitation, such as DAPI, GFP/FITC, mCherry/Texas Red, Cy5, and more. Both manual and automatic digital programming control are integrated in Hyper E600, offer the users easy, flexible operation options. Besides, the LED long life characteristic makes you don't worry about the bulb replacement.

YODN Hyper E600 is the best choice for fluorescence microscope researches.



Hyper E600

Broadband Excitation Illuminator for Fluorescence Microscope



Features

LED light source

Broadband spectrum

Simple operation

Low photo-bleaching rate

Custom thermal system for LED light engine

Support multiple digital control

Support remote off-site control

Benefits

Eco-friendly design, long life, instant on/off, stable light output.

Broadband spectrum (350 nm – 700 nm), sufficient to use in all research occasions related to fluorescence, such as DAPI, GFP/FITC, mCherry/Texas Red, and Cy5 excitation.

Use smart control pod or remote control (TTL) to switch your LED intensity/channel easily.

LED cold light used; increase the fluorescence cell sample survival rate.

Control the light engine/illuminator at the best operation temperature and performance.

Easy switch between manual control or auto program operation (USB/TTL). Users can see each LED intensity, temperature, usage hours on the display (30 x 15 mm).

Use the USB interface or TTL to connect the illuminator with a personal computer, and observe the research progress in a remote location.

TTL: on/off (BNC)

PC control (µManager): on/off, 1% intensity adjustment (USB B-type)

Hyper E600

Hyper E600

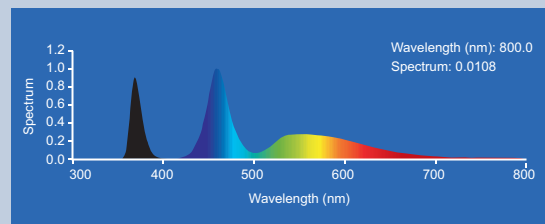
Broadband Excitation Illuminator for Fluorescence Microscope



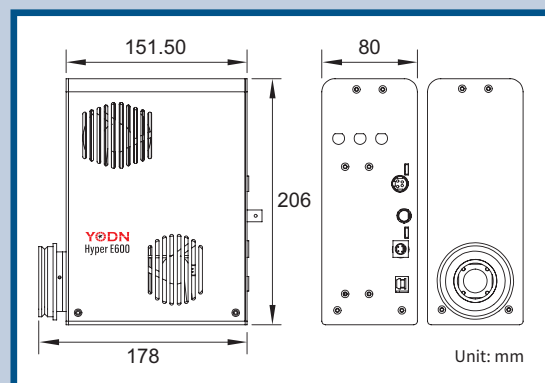
Specification

Wavelength range	350 ~ 700 nm
LED peaks/FWHM	365/20 nm, 460/40 nm, 560/80 nm
External power supply	Universal input 100-240 VAC, 50/60 Hz
Power consumption	138 W
LED on/off response time	1 ms
Control pod	On/off; LED intensity control 25% ~ 100% (1% incremental)(all/single channel); manual or remote control (TTL)
External control	TTL Trigger & PC control (RS232 command/USB B-type connector)
I/O connections	TTL: on/off (BNC); PC control (µManager): on/off, 1% intensity adjustment (USB B-type)
Dimensions (WxDxH) mm (Excluding rubber legs)	Illuminator: 80 x 152 x 206 Control pod: 113 x 80.5 x 43 Power adapter: 72 x 175 x 35
Weight	Approx. 2.6 kg (including power supply, control pod)
Warranty	Illuminator: 24 months
Standard configuration	Illuminator, control pod, adaptor (choose one), integrated power supply.
Option	1.5 m long, Ø3 mm liquid light guide/stand, collimators.
Certifications	CE, RoHS

Spectrum



Dimensions



Configuration & Accessories Illustration

Standard configuration

Leica Nikon Olympus Zeiss Motic

Adaptor (choose one)

Option

Liquid light guide/stand Leica Nikon Olympus Zeiss Motic

Collimator

YODN Lighting Corp.

6F, No. 1, Creation Rd. II, Science-Based Industrial Park,
Hsin-chu City, 30077 Taiwan

TEL: +886-3-563-7218

FAX: +886-3-579-4581

Email: sales@yodnlighting.com



YODN WeChat



YODN Facebook